

Application:

LBH conduit outlet bodies are installed in hazardous areas to:

- act as pull outlets especially for conductors that are stiff due to large size or type of insulation
- make 90° bends in conduit system, allowing straight pull in either direction
- provide for conduit service entrance to buildings
- provide for conductor entrance to motors
- provide access to wiring for maintenance and future system changes

LBY elbows are installed in conduit systems within hazardous areas to:

- make 90° bends in conduit systems where space is limited
- act as pull outlets
- provide access to conductors for maintenance and future system changes

ET series short radius tees are installed in conduit systems within hazardous areas to:

- allow single conduit stub up to outlet and device boxes located above or below main conduit runs. Eliminates separate feed and return conduits

Features:

LBH bodies have:

- cover openings on an angle, permitting conductors to be pulled straight through hubs from either direction
- domed covers to permit easy conductor bends (relieves strain on insulation)
- taper threaded hubs with integral bushings

LBY elbows have:

- maximum volume for bends within a compact overall size
- screw on cover for ease of installation and removal
- cover opening on an angle, permitting conductors to be pulled straight through either hub
- taper threaded hubs and integral bushing for rigid threaded conduit

ET short radius tees have:

- compact size and small radius of bend for use in concealed, or open conduit systems. Particularly suited for use in shallow floors or partitions
- taper threaded hubs and integral bushing for rigid threaded conduit

† Largest hub is shown at top of photo.

Standard Materials:

• LBH, LBY and ET – *Feraloy*® iron alloy

Standard Finishes:

• LBH, LBY and ET – electrogalvanized and aluminum acrylic paint

Options:

Description	Suffix to be Added to Cat. #
LBH and LBY series – copper-free aluminum	SA
LBH and LBY series – <i>Corro-free</i> ™ epoxy powder coat	add suffix S752

Size Ranges:

• LBH bodies – hub size 1/2" to 4"
 • LBY elbows – hub size 1/2" to 1 1/2"

Certifications and Compliances:

• NEC:
LBH 10-20 –
 Class I, Division 1 & 2, Groups B,C,D
 Class II, Division 1, Groups E,F,G
 Class II, Division 2, Groups F,G
 Class III

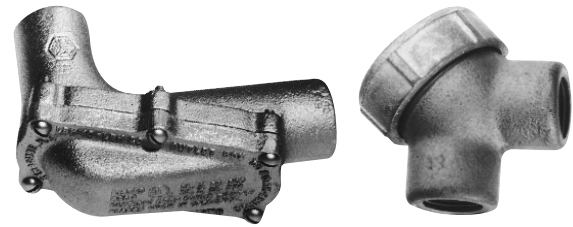
LBH 30-100
 Class I, Division 1 & 2, Group D
 Class II, Division 1, Groups E,F,G
 Class II, Division 2, Groups F,G
 Class III

LBY –
 Class I, Division 1 & 2, Groups C,D
 Class II, Division 1, Groups E,F,G
 Class II, Division 2, Groups F,G
 Class III

ET –
 Class I, Division 1 & 2, Groups A,B,C,D
 Class II, Division 1, Groups E,F,G
 Class II, Division 2, Groups F,G
 Class III

• UL Standard: 886
 • CSA Standard: C22.2 No. 30

* See Compliances for classification of each product.



LBH

Size	Cat. #
1/2	LBH10
3/4	LBH20
1	LBH30
1 1/4	LBH40
1 1/2	LBH50
2	LBH60
2 1/2	LBH70
3	LBH80
3 1/2	LBH90
4	LBH100

LBY

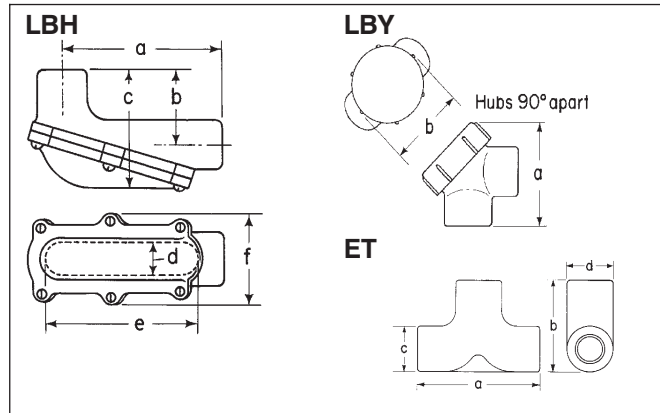
Size	Cat. #
1/2	LBY15
3/4	LBY25
1	LBY35
1 1/4	LBY45
1 1/2	LBY55



ET

Size	Cat. #
3/4-1/2-1/2†	ET218
3/4-3/4-3/4†	ET228
1-3/4-3/4†	ET328

Dimensions



LBH

Size	a	b	c	d	e	f
1/2 - 3/4	5 1/16	2 19/32	4	1 3/16	4	2 3/4
1 - 1/4	7 7/8	3 13/32	5 1/4	1 3/4	7	4
1 1/2	10 15/16	4 1/2	7 3/32	2 1/2	10	5
2	10 21/32	4 25/32	7 3/32	2 1/2	10	5
2 1/2 - 3	15 5/8	5 1/2	9 1/2	3	15 3/4	5 5/8
3 1/2 - 4	23 3/16	6 1 1/16	11 3/4	4	24	7 1/8

LBY

Size	a	b	c	d
1/2	2 9/16	2	3/4-1/2-1/2	1 1/2
3/4	2 13/16	2 1/4	3/4-3/4-3/4	1 1/2
1	3 3/32	2 1/2	1-3/4-3/4	1 3/4
1 1/4	3 3/4	2 15/16		
1 1/2	4 1/4	3 3/8		

ET

Size	a	b	c	d
3/4-1/2-1/2	4	2 5/8	1 1/4	1 1/2
3/4-3/4-3/4	4	3	1 1/2	1 1/2
1-3/4-3/4	4	3	1 1/2	1 3/4